



107-D140-NXT

107-D122-NNT

107-D104-XNT

Specifications

Serial interface	Half duplex RS-485 with transformer isolation
Cable type	CAT5 UTP/STP Ethernet cable
Surge protection	10KV
Transmission speed	2.5Mbps, 5Mbps, 10Mbps and 20Mbps
I/O isolation voltage	3750Vrms
Input types	NPN
Input impedance	5.6KΩ/0.5W
Input current	±5mA(Max.)
Output types	NPN open collector darlington transistors
Switch capacity	Each output Ch. is 100mA at 24VDC
Response time	On to Off, about 50μs; Off to On, about 10μs
Over current protection	1A (Max.) for each port (8-Ch.)
Power input	24VDC±10%
Power consumption	4W typical
Working temperature	0 to 60°C

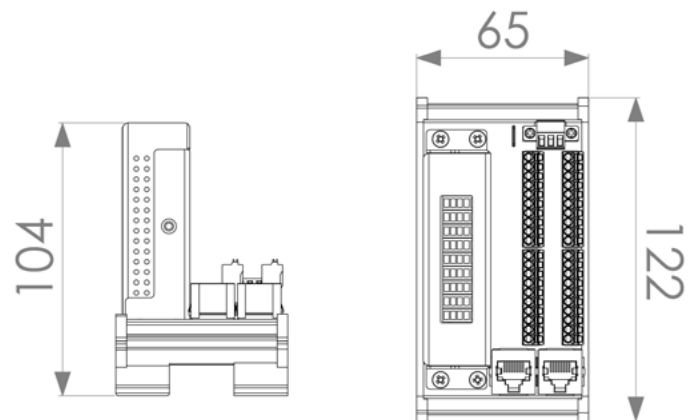
Features

- DIN rail mounting (L-122 x W-65 x H-104 mm)
- Max. 20Mbps transfer rate
- Easy installation with RJ45 phone jack and LED diagnostic
- Pluggable terminal block with spring plug connectors

Ordering Information

107-D140-NXT	32-Ch. Digital input
107-D122-NNT	16-Ch. DI and 16-Ch. DO
107-D104-XNT	32-Ch Digital output
SCB-1BB-06A/10A /20A/30A/50A/A0A	CAT5 LAN cable, 0.6M/1M/2M/3M/5M/10M

Dimensions and Drawing



Unit:mm

01 Master Card

02 Digital Slave

03 Analog Slave

04 Motion Slave

05 Microstep Driver