

Specifications

Serial interface	Half duplex RS-485 with transformer isolation
Cable type	CAT5 UTP/STP Ethernet cable
Surge protection	10KV
Transmission speed	2.5Mbps, 5Mbps, 10Mbps and 20Mbps
Input Ch.	8-Ch. differential
Input type	4 ~ 20 mA with switchable resistor.(No need external resistor) Thermocouple type: E, J, K, T.
Effective resolution	16 bits
Input impedance	20MΩ
Sample rate	Low speed: 5Hz/8-Ch. High speed: 50Hz/8-Ch.
Fault and over-voltage protection	Up to ±12V
Accuracy	0.1% or better
Photo- isolation	3750Vrms
Intra-module isolation, field to logic	3000VDC
CMR@50/60Hz	110dB
Power input	18VDC to 36VDC
Power consumption	3W typical
Working temperature	0 to 60°C
Thermocouple type E	Range: -100°C ~ +700°C
Thermocouple type J	Range: -100°C ~ +600°C
Thermocouple type K	Range: -200°C ~ +900°C
Thermocouple type T	Range: -100°C ~ +350°C

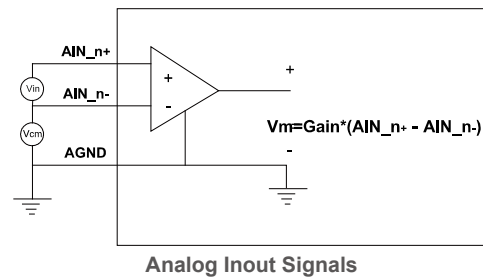
Features

- DIN rail mounting (L-75 x W-124 x H-32 mm)
- Max. 20Mbps transfer rate
- Easy installation with RJ45 phone jack and LED diagnostic
- 8-Ch. Analog input

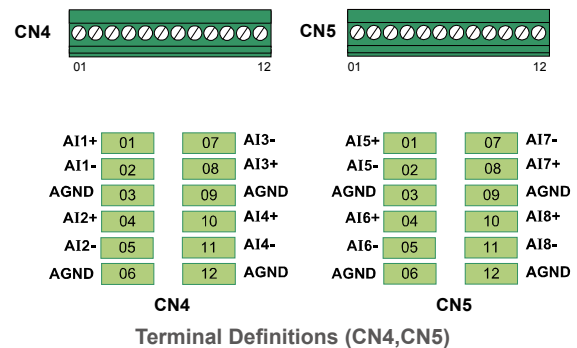
Ordering Information

108-T140	8-Ch. temperature slave module for thermocouple
SCB-1BB-06A/10A /20A/30A/50A/A0A	CAT5 LAN cable, 0.6M/1M/2M/3M/5M/10M

Signal Wiring Diagram



Signal Wiring Diagram



01 Master Card

02 Digital Slave

03 Analog Slave

04 Motion Slave

05 Microstep Driver